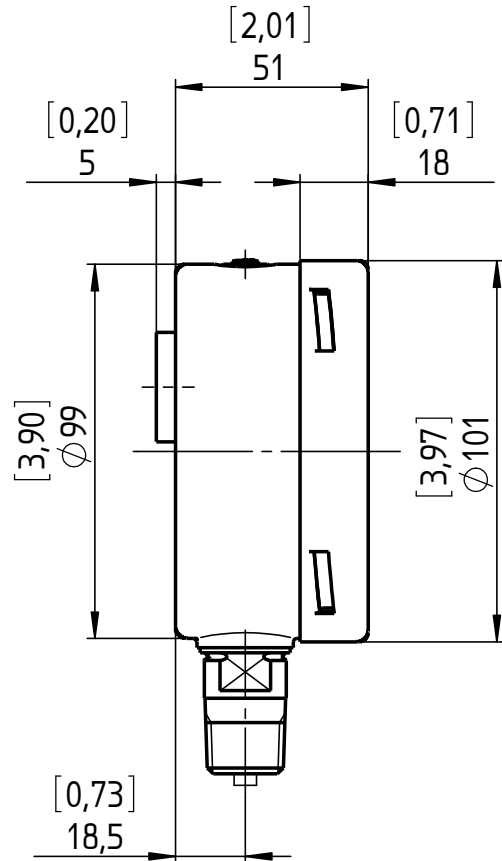
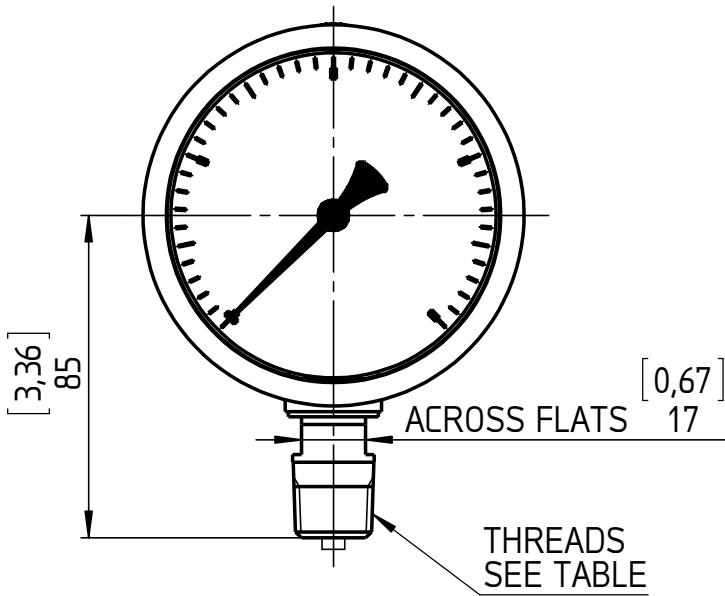
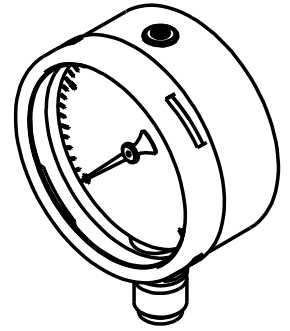


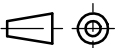
THREADS	CODE
1/4-18 NPT MALE; DIN EN 837	02
1/2-14 NPT MALE; DIN EN 837	04
G 1/4 B MALE; DIN EN 837	13
G 1/2 B MALE; DIN EN 837	15
M20x1,5 MALE	16



All specifications are subject to change without notice.

This drawing includes confidential information which is the property of ASHCROFT INC. This copy is loaned for a specific purpose, with the understanding that it will not be reproduced or used for any other purpose or disclosed to others, and it will be returned on demand.

Dimensions in mm [inch]



General Dimension
N5500, NG100, Lower

	Date	Name
Drawn	06.12.13	J. Krott
Checked	09.12.13	<i>Th. Wal</i>

ASHCROFT

DWG. NO.

A 076 I 1-N5500 BAE-NG100-L

Rev.	Description	Date	Na.