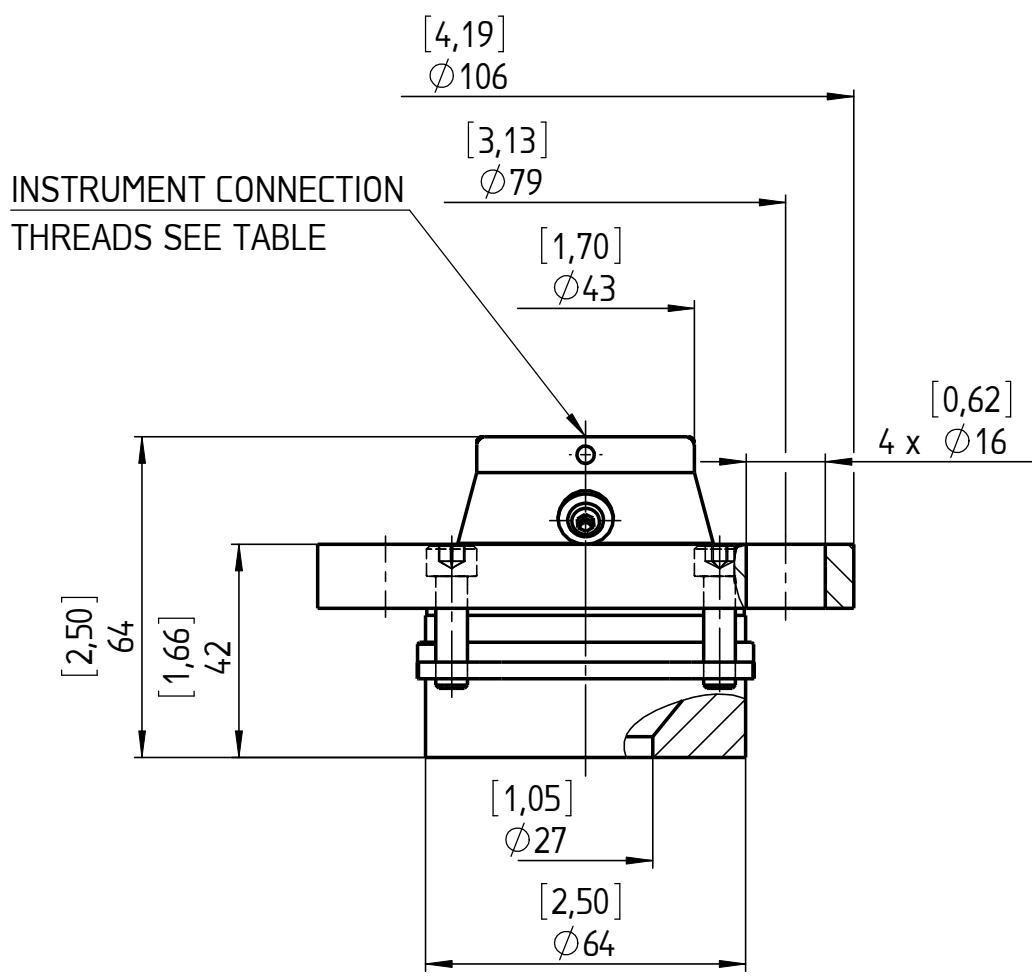
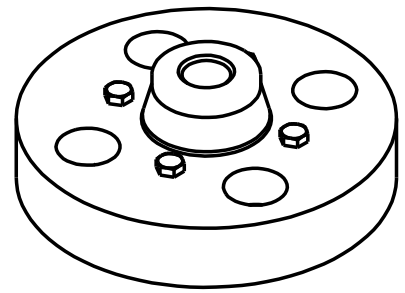


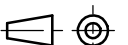
INSTRUMENT CONNECTION THREADS	CODE
1/4-18 NPT FEMALE	02T
1/2-14 NPT FEMALE	04T
G 1/2 FEMALE; DIN EN 837	15T



All specifications are subject to change without notice.

This drawing includes confidential information which is the property of ASHCROFT INC. This copy is loaned for a specific purpose, with the understanding that it will not be reproduced or used for any other purpose or disclosed to others, and it will be returned on demand.

Dimensions in mm [inch]



**General Dimension**  
**Seal, 102, DN 1", 150 lbs,**  
**Raised Face**

	Date	Name
Drawn	06.11.09	J. Krott
Checked	06.11.09	<i>[Signature]</i>

DWG. NO.  
**A 076 | 3-102-10-150 lbs-RF**



Rev.	Description	Date	Na.