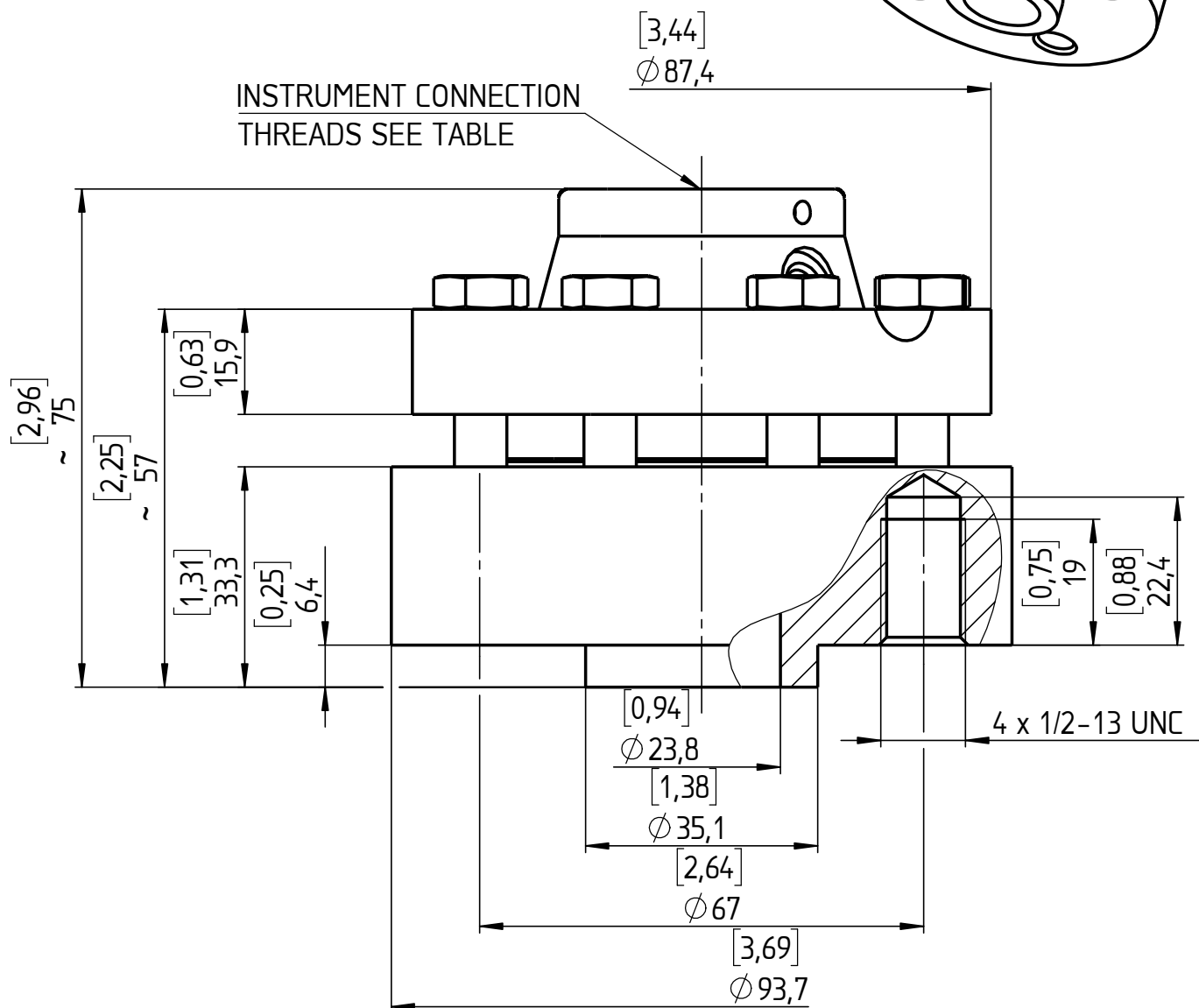
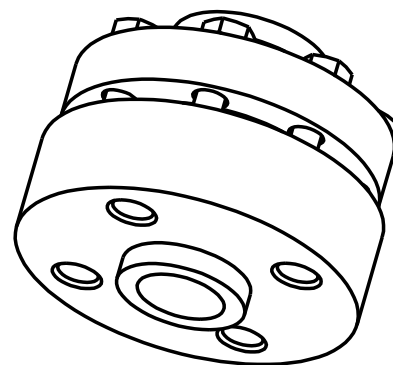


INSTRUMENT CONNECTION THREADS	CODE
1/4-18 NPT FEMALE	02T
1/2-14 NPT FEMALE	04T
G 1/2 FEMALE; DIN EN 837	51T



All specifications are subject to change without notice.

This drawing includes confidential information which is the property of ASHCROFT INC. This copy is loaned for a specific purpose, with the understanding that it will not be reproduced or used for any other purpose or disclosed to others, and it will be returned on demand.

Dimensions in mm [inch]



General Dimension

Seal, 202, 1/2" CL300/600, RF  
stainless steel clamp rings including clamping bolts

Rev.	Description	Date	Na.	Date	Name
				Drawn 30.09.16	J. Krott
				Checked 30.09.16	Th. Wolf

**ASHCROFT**

DWG. NO.

A 076 | 3-202-50-300 to 600-SE