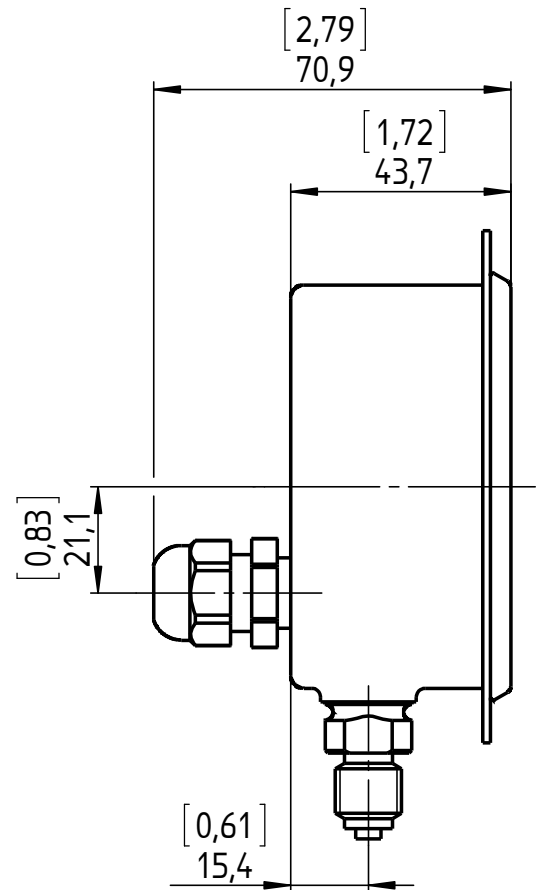
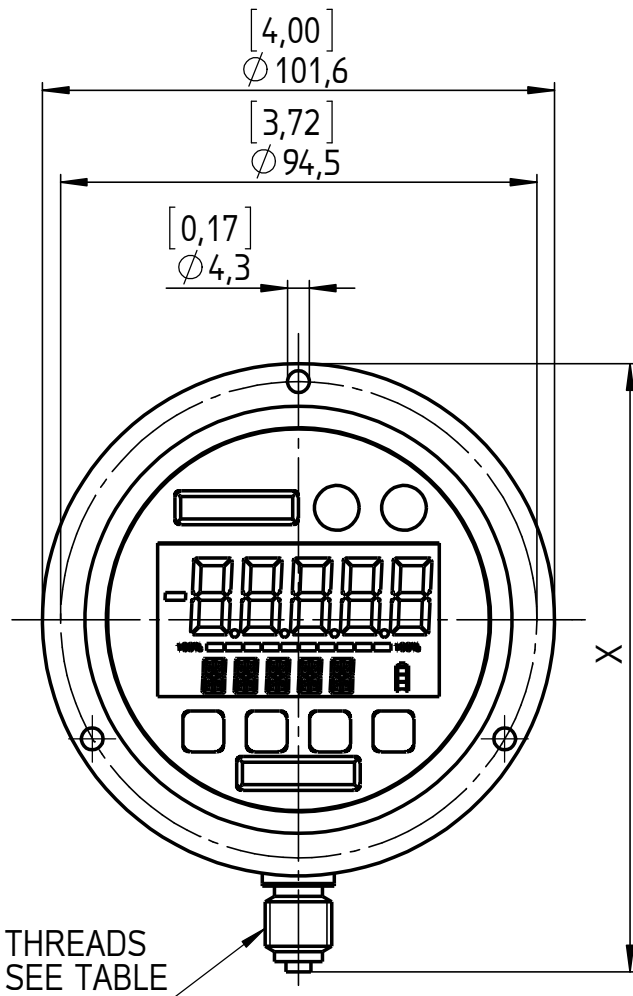
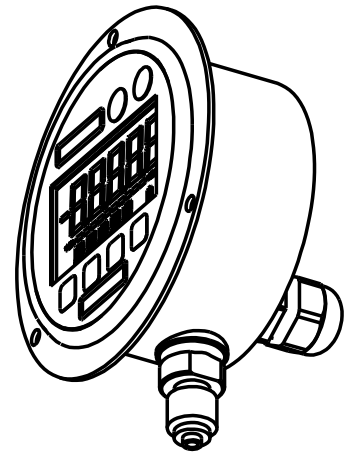


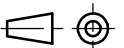
THREADS	CODE	X
1/4-18 NPT MALE	02	112,2 [4,42]
G 1/4 B MALE	13	112,2 [4,42]
1/4" BSPF MALE	KJ	117,9 [4,64]
1/4" VCR FEMALE	SF	155,3 [6,11]
1/4" VCR MALE	SM	141,6 [5,58]



All specifications are subject to change without notice.

This drawing includes confidential information which is the property of ASHCROFT INC. This copy is loaned for a specific purpose, with the understanding that it will not be reproduced or used for any other purpose or disclosed to others, and it will be returned on demand.

Dimensions in mm [inch]



General Dimension

2174, NG3", Lover,
Front Flange (welded to case)

	Date	Name
Drawn	02.02.15	J. Krott
Checked	02.02.15	Th. Wal

DWG. NO.

A 076 | 6-2174-30-L-FF

ASHCROFT

Rev.	Description	Date	Na.