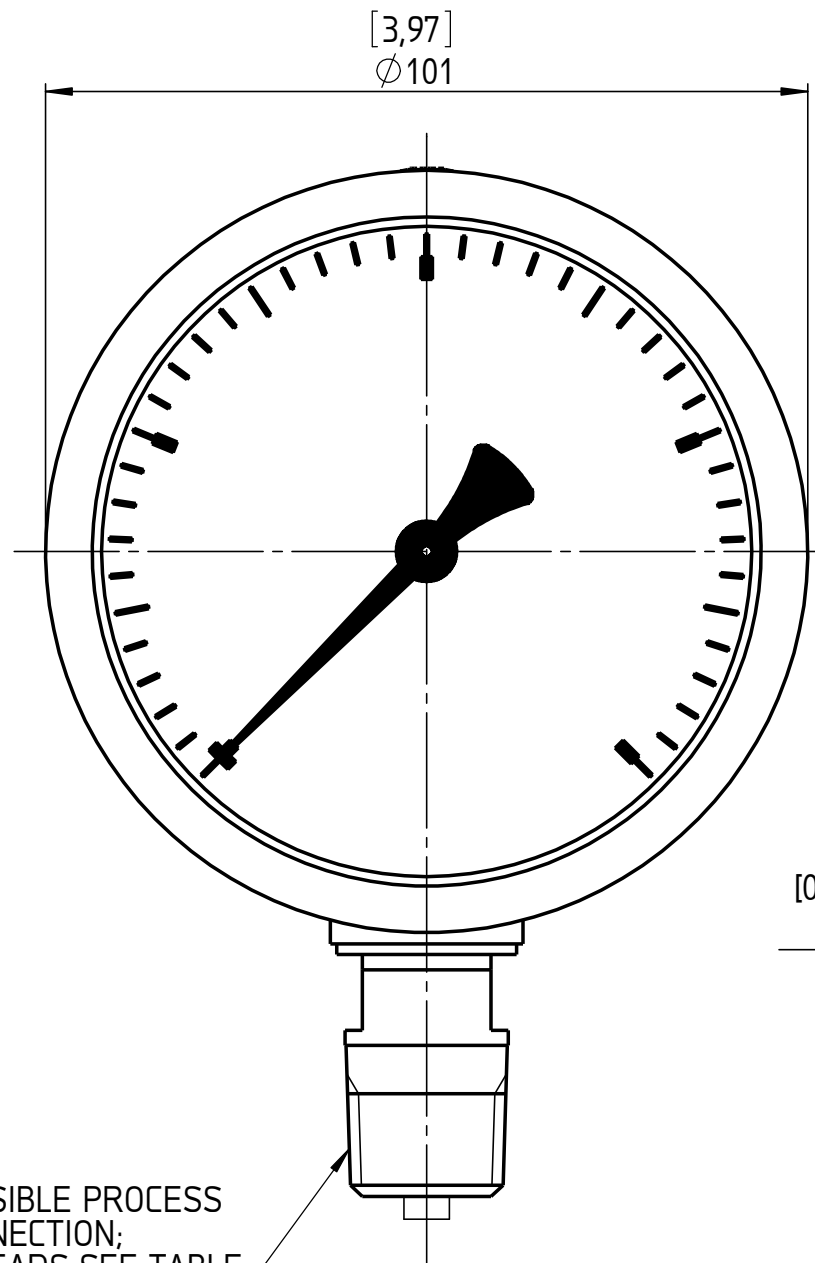
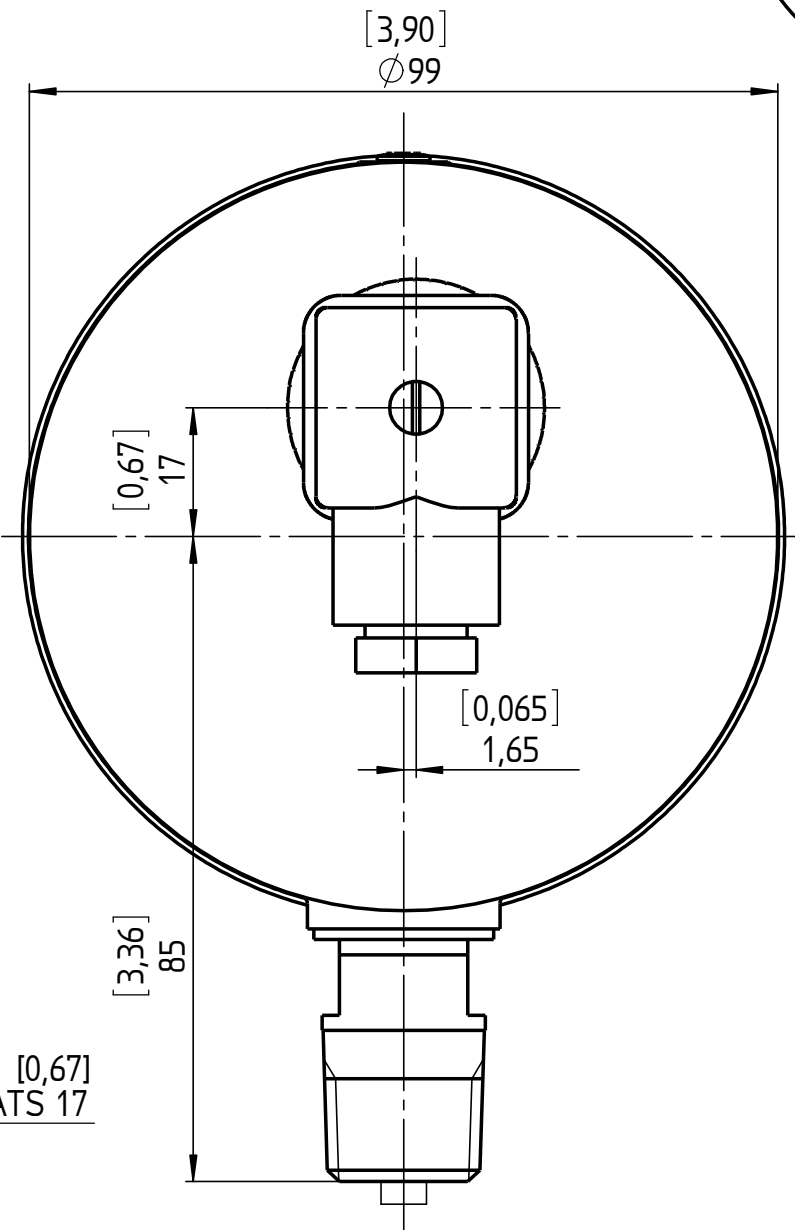
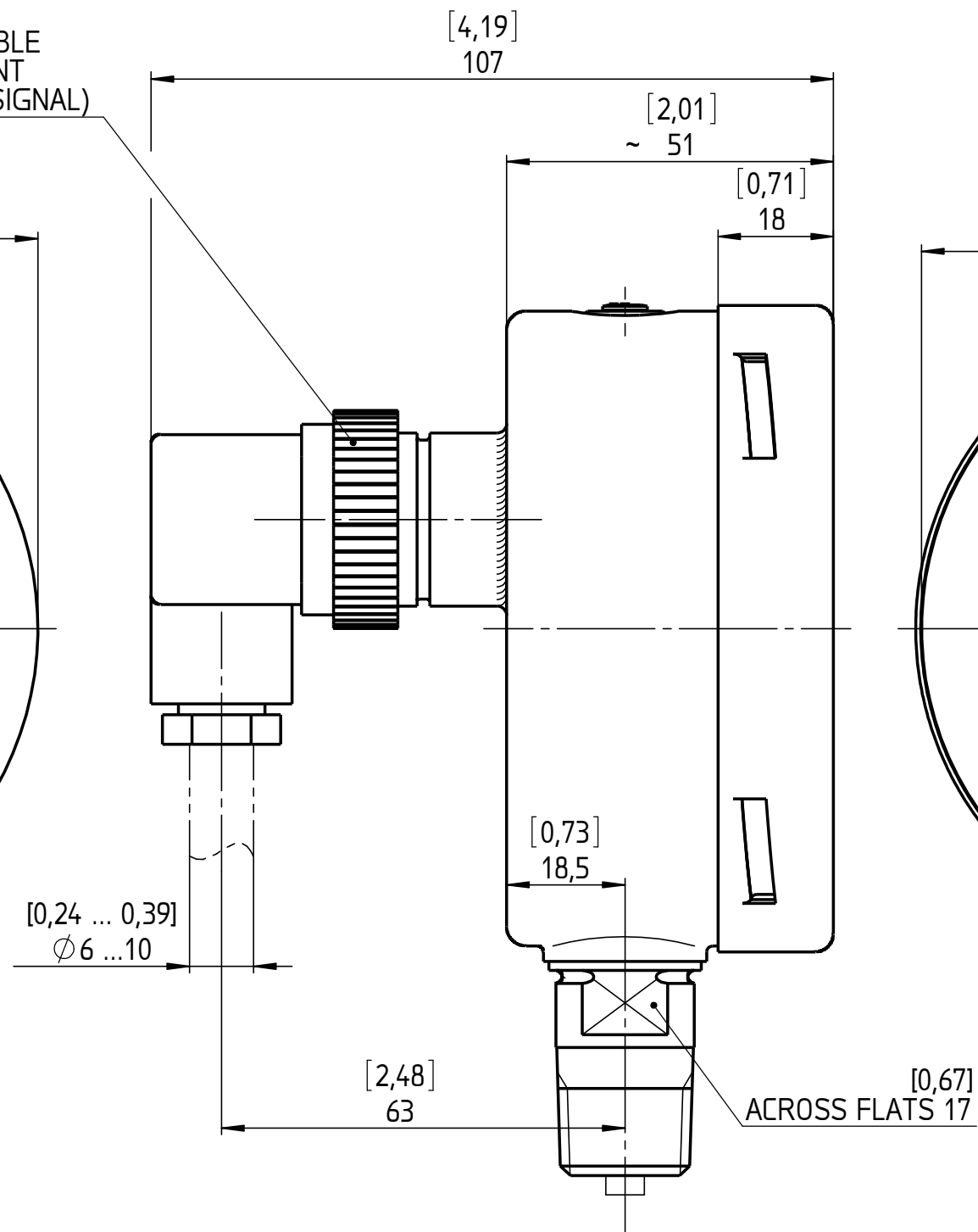


MOUNTING RING REMOVEABLE
FOR EXTERNAL ADJUSTMENT
(SPAN AND ZERO/OUTPUT SIGNAL)



POSSIBLE PROCESS
CONNECTION;
THREADS SEE TABLE



| THREADS | CODE |
|-----------------------------------|------|
| 1/4-18 NPT MALE; DIN EN 837 | 02 |
| 1/2-14 NPT MALE; DIN EN 837 | 04 |
| 9/16-18 UNF-2B FEMALE; AMINCO; HP | 09 |
| G 1/4 B MALE; DIN EN 837 | 13 |
| G 3/8 B MALE; DIN EN 837 | 14 |
| G 1/2 B MALE; DIN EN 837 | 15 |
| M20x1,5 MALE | 16 |

This drawing includes confidential information which is the property of ASHCROFT INC. This copy is loaned for a specific purpose, with the understanding that it will not be reproduced or used for any other purpose or disclosed to others, and it will be returned on demand.

| Rev. | Description | Date | Na. | Date | Name |
|------|-------------|------|-----|----------|----------|
| | | | | 22.02.11 | J. Krott |
| | | | | 23.02.11 | Th. Wal |



Dimensions in mm [inch]

General Dimension

T55E, NG100, Lower,
angle connector according DIN EN 175301-803
on the back

DWG. NO.

B 076 | 1-T55E-NG100-L-M1