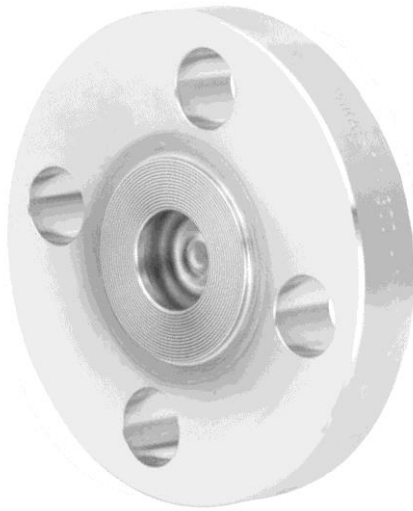


# All welded flanged diaphragm seal with internal diaphragm model DFE EN

according to EN 1092-1



## FEATURES

- All-welded compact design for small flanges and low pressure ranges
- Variety of wetted parts materials, special materials cover the sealing surface too
- Filling port in the instrument connection
- Suitable for pressure gauges, switches and transmitters
- Continuous duty design
- Minimized fill volume

## APPLICATIONS

- Corrosive processes
- Controlling fugitive emissions
- Elevated process temperatures
- Suspended solids in the process
- Limited space

## CONSTRUCTION

The DFE Type allows a semi flush installation on pipe, tank or vessel applications. All of the combinations afford instrument protection from corrosives, heat and clogging issues associated with viscous media or solids.

## SPECIFICATIONS

**Maximum Pressure Rating**  
PN10, PN16, PN25, PN40

**Flange Material**  
Stainless Steel 1.4404 (316L)

**Diaphragm Materials**  
Stainless Steel 1.4435 (316L), Hastelloy C-276, Tantalum, Monel 400, others on request

**Instrument Connection Material**  
Stainless Steel 1.4404 (316L)

**Instrument Connection Sizes**  
G ¼, G ½ female, ¼ NPT, ½ NPT female, Port for direct welded instruments or capillary line

**Process Connections**  
DN25, DN40 according to EN 1092-1 Form B1, others on request

**Accuracy (typical)**  
Seal will add 0,5 % to the stated full scale accuracy of the instrument attached.

**Standard Fill Medias**  
Silicone  
Halocarbon  
Syltherm  
FDA approved white oil, silicone free  
\*Others available upon request

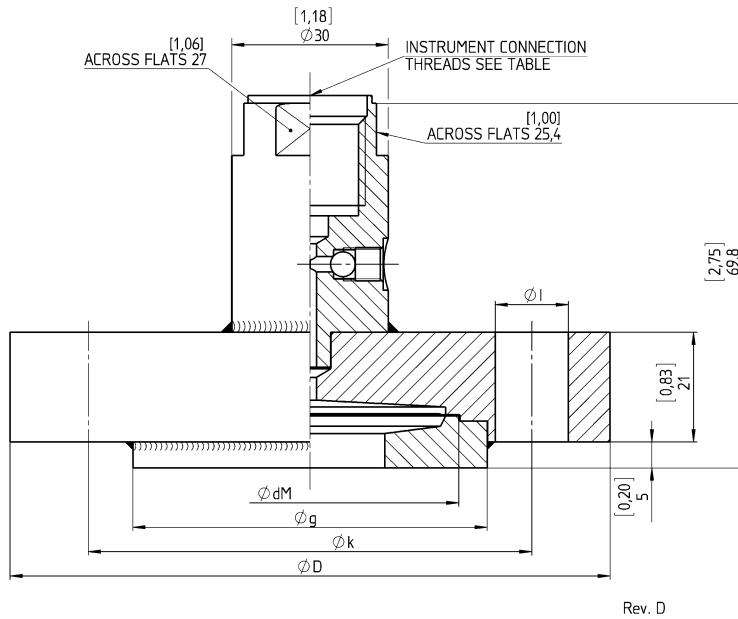
**ATEX**  
Conformity according to RL 94/9/EC appendix X for mechanical equipment in potential hazardous areas:  
Optional, marking  
CE 0044 Ex II 2 GD c II TX  
File no. 35101282 at notified body 0044, TÜV NORD CERT  
The temperature class will be determined by the used measuring device.

## OPTIONS

- DU - Welded instrument connection
- MQ - PMI-test
- 6B - Cleaned for Oxygen service
- C3 - Material certificate EN 10204 3.1
- CD5 - NACE certificate

## ACCESSORIES

Flushing ring, capillary line, cooling tower

**General dimensions [mm]**


INSTRUMENT CONN. THREADS	CODE
1/4-18 NPT FEMALE	02T
1/2-14 NPT FEMALE	04T
G 1/2 FEMALE; DIN EN 837	51T
G 1/4 FEMALE; DIN EN 837	26T
WELDING PORT	00T

Size DN	PRESSURE PN	Ø D	Ø g	Ø dM	Ø k	Ø l	MIN SPAN	WEIGHT KG
DN25	PN10 - PN40	[4,53] 115	[2,68] 68	[2,24] 57	[3,35] 85	[0,55] 14 x 4	1 bar	2,0
DN40	PN10 - PN40	[5,91] 150	[3,46] 88	[4,33] 110	[0,71] 18 x 4	3,5		

**Order information**

Process connection	Diaphragm material	Flange material	Instrument connection	Rating	Flange form	Filling fluid	Options
Nominal Diameter	(S) 316L (1.4435)	(S) 316L (1.4404)	(00T) Welding port	Nominal pressure	(B1) Raised face form B1 (PN10 ... PN40)	(CK) Silicone (direct mounted or with capillary ≤ 10' (3 m), -40/600 °F, -40/315 °C)	(6B) Cleaned for Oxygen service (Halocarbon filling required)
(DN25)	(P) Monel 400		(02T) ¼ NPT female	(PN10)		(DJ) Silicone (with capillary > 10' (3 m), -40/600 °F, -40/315 °C)	(ATEX) ATEX approval
(DN40)	(U) Tantalum max. temp. 480 °F, 250 °C		(04T) ½ NPT female	(PN16)		(CF) Halocarbon (direct mounted or with capillary, -70/300 °F, -56/149 °C)	(DU) Welded instrument connection
	(H) Hastelloy C276		(51T) G ½ female	(PN25)		(HA) Syltherm 800 (direct mounted or with capillary, -40/750 °F, -40/400 °C)	(NH) Tagging wired
			(26T) G ¼ female	(PN40)		(GQ) FDA approved white oil, silicone free (direct mounted or with capillary ≤ 10' (3 m), 15/480 °F, -10/250 °C)	Material certificates according EN 10 204
others on request		others on request	others on request	others on request	others on request	others on request	(C3) 3.1 traceability
							(CD5) NACE certificate MR 01-75/ ISO 15156
							(MQ) PMI test
							(1115A) Stainless steel armored capillary <sup>1)</sup>
							(1115P) Stainless steel armored capillary with PVC sheathing <sup>1)</sup>
							<sup>1)</sup> see data sheet G3.1115

**Order example**

Process connection	Type	Diaphragm material	Flange material	Instrument connection	Rating	Flange form	Filling fluid	Option
DN25	DFE EN	H	S	51T	PN40	B1	CK	C3

**Ashcroft Instruments GmbH**

Germany  
 Max-Planck-Str. 1, D-52499 Baesweiler  
 P.O. Box 11 20, D-52490 Baesweiler  
 Tel.: +49 (0) 2401 808-0, Fax: +49 (0) 2401 808-125

France  
 48, Chemin des Landes  
 F-69700 Montagny  
 Tel.: +33 (0) 9 65 32 71 31, Fax: +33 (0) 4 72 39 10 57

Website: [www.ashcroft.eu](http://www.ashcroft.eu)

e-Mail: [sales@ashcroft.com](mailto:sales@ashcroft.com)  
 United Kingdom  
 Unit 17 & 18 William James House  
 Cowley Road, Cambridge CB4 0WX  
 Tel.: +44 (0) 12 23 39 55 00, Fax: +44 (0) 12 23 39 55 01