

Utility gauge with ABS-case Type UG1

FEATURES

- Cost-effective construction
- ABS-case with brass wetted components
- 40, 50, 63, 80 and 100 mm dial size
- Overload protection 120 %
- Accuracy Class 1, 1.6 or 2.5

TYPICAL USES

- Pumps and compressors
- Filter regulators
- Fluid power equipments
- Medical equipment
- Pool and spa filters
- Hydraulics and pneumatics
- OEM equipment
- Beverage dispensing equipment
- Industrial machinery



UG1
ABS-case

SPECIFICATIONS

Model:	UG1 with ABS plastic case
Accuracy:	According to EN 837-1 100 mm dial size Class 1; 1 % Full scale 63 and 80 mm, optional 50 mm dial size Class 1.6; 1.6 % Full scale 40 and 50 mm dial size Class 2.5; 2.5 % Full scale
Dial Sizes:	40, 50, 63, 80 and 100 mm
Ranges:	Vacuum, compound, 0 to 100 bar (1500 psi)
Working Pressure:	75 % of max. scale value
Over Pressure Limit:	120 % of max. scale value
Process Connection:	1/8 NPT, G 1/8 B, R 1/8 male 1/4 NPT, G 1/4 B, R 1/4 male 1/2 NPT, G 1/2 B, R 1/2 male
Process Connection Location:	Lower or center back
Weather Protection	IP54

WETTED COMPONENTS

Tube:	Brass
Socket:	Brass
Joints:	Soldered

NON-WETTED COMPONENTS

Window:	Snap-in plastic lens optional: Hardened Polycarbonat
Dial:	Aluminum, black markings on white background
Pointer:	Black, aluminum
Movement:	Brass
Case:	ABS plastic

KEY BENEFITS

- Economic pressure measurement
- Suitable for oxygen service
- Dampened movement

MIN./MAX. TEMPERATURE LIMITS

VERSION	AMBIENT	PROCESS	STORAGE
Dry	-20 °C to 65 °C (-4 °F to 150 °F)	max. 120 °C (max. 250 °F)	-20 °C to 65 °C (-4 °F to 150 °F)

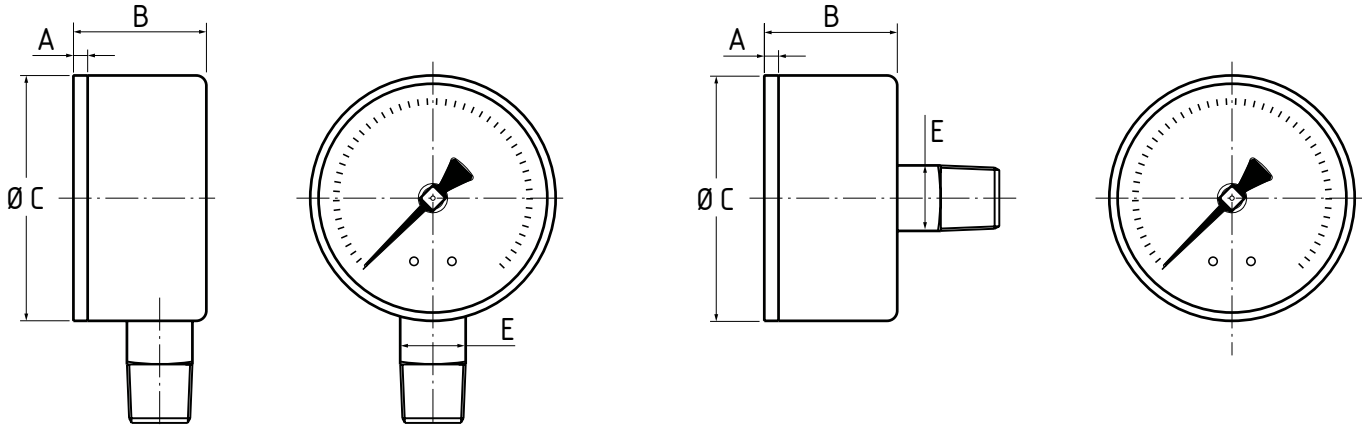
**Utility gauge with ABS-housing
Type UG1**

ORDERING CODE	EXAMPLE:	63	UG1	A	P	D	01	L	T	0	L	6BR	XCD2
Dial Size													
40	40 mm												
50	50 mm												
63	63 mm	63											
80	80 mm												
100	100 mm												
Model Code													
UG1	Utility gauge type 1		UG1										
Wetted components (Tube and socket)													
A	Brass			A									
Case Material													
P	ABS				P								
Case Filling													
D	Dry					D							
Process Connection													
01	1/8 NPT Male						01						
02	1/4 NPT Male												
04	1/2 NPT Male												
07	G 1/8 B Male												
13	G 1/4 B Male												
15	G 1/2 B Male												
17	R 1/8 DIN EN 10226-1:2004-10 [1/8" BSPT (JIS B 0203)]												
KA	R 1/4 DIN EN 10226-1:2004-10 [1/4" BSPT (JIS B 0203)]												
KQ	R 1/2 DIN EN 10226-1:2004-10 [1/2" BSPT (JIS B 0203)]												
Process Connection Location													
C	Center back												
L	Lower									L			
Window													
T	Light plastic												T
P	Hard plastic (Polycarbonate)												
Mounting													
0	Stem											0	
Accuracy													
I	Class 2.5												
J	Class 1												
L	Class 1.6											L	
Range (coding example only, find available ranges on page 3)													
Single Scales													
6BR	6 bar											6BR	
Options (If choosing an option(s) must include a "X")													
Dial													
SS	Special range (Information is required by the customer)												
Connection													
TU	Throttle plug												
Cleaning													
6B	Cleaned for oxygen service												
YF	Cleaned silicone free												
Testing/Certificates													
CD2	Material test report according to EN 10204 / 2.2												CD2



**Utility gauge with ABS-housing
Type UG1**
DIMENSIONS IN MM [INCH]

For reference only, consult Ashcroft for specific dimensional drawings


LOWER CONNECTION TYPE

DIAL SIZE	A	B	ØC	E	WEIGHT (KG)
40 mm	2,5 [0,1]	25,4 [1]	40,6 [1,6]	10,9 [0,43]	0,1
50 mm	2,5 [0,1]	27,9 [1,1]	53,3 [2,1]	14 [0,55]	0,1
63 mm	2,5 [0,1]	27,9 [1,1]	61 [2,4]	14 [0,55]	0,1
100 mm	3,6 [0,14]	30,5 [1,2]	99,1 [3,9]	14 [0,55]	0,4

CENTER BACK CONNECTION TYPE

DIAL SIZE	A	B	ØC	E	WEIGHT (KG)
40 mm	2,5 [0,1]	25,4 [1]	40,6 [1,6]	10,9 [0,43]	0,1
50 mm	2,5 [0,1]	27,9 [1,1]	53,3 [2,1]	14 [0,55]	0,1
63 mm	2,5 [0,1]	27,9 [1,1]	61 [2,4]	14 [0,55]	0,1
80 mm	3,6 [0,14]	30,5 [1,2]	99,1 [3,9]	14 [0,55]	0,4

STANDARD PRESSURE RANGE

Gauge Pressure			Vacuum & Compound	
bar	psi	kPa	bar	in. HG / psi
Code				
BR	#	KP	BR	INHG
1	15	100	-1/0	-30/0
1,6	30	160	-1/0,6	-30/15
2,5	60	250	-1/1,5	-30/30
4	100	400	-1/3	-30/60
6	160	600	-1/5	-30/100
10	200	1000	-1/9	-30/160
16	300	1600	-1/15	-30/200
25	400	2500	-1/24	-30/300
40	500	4000		
60	600	6000		
100	800	10000		
	1000			
	1500			

