

## Data Sheet

# High Pressure Ball Valve - V02 Series

### FEATURES

- Floating ball design provides bi-directional isolation
- PTFE Packing (other materials available upon request)
- Anti-blowout stem design
- Supplied with wetted parts according to NACE MR0175/MR0103
- 316 Stainless Steel construction

### TYPICAL USES

- Oil & Gas Industry
  - Upstream: Onshore/offshore production
  - Midstream: Transport, storage and natural gas compression
  - Downstream: Refineries and petrochemical industries
- Chemical Industry
- Power Plants
  - Conventional power plants
  - Flue gas desulfurization plants
- Other Industries
  - Waste incineration plants
  - Seawater desalination plants
  - Steel mills
  - Cement plants



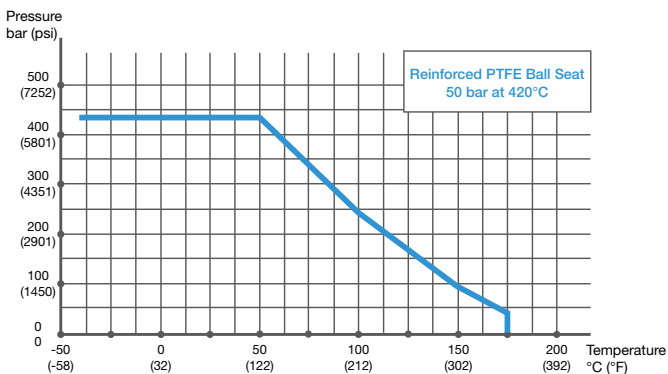
**Style A**  
Ball Valve

### KEY BENEFITS

- 90° turn opens or closes valve quickly
- 10 mm bore hole
- Available for oxygen service
- PTFE Packing (other materials available upon request)
- Stem with cold rolled surface, back seat and non-rotating needle tip
- Supplied with wetted parts according to NACE MR0175/MR0103 (CD-5 Certificate)
- Material traceability reports available per EN 10204 3.1

### SPECIFICATIONS

Process Connection:	1/2 NPT Male, 1/2 NPT Female
Instrument Connection:	1/2 NPT Female
Construction:	Stainless Steel 316L (1.4404) Monel 400 (2.4360) Hastelloy C-276 (2.4819) Duplex UNS S31803 (1.4462) others on request
Max. Pressure Rating	420 bar at 50 °C (6092 psi at 122 °F) more details, check chart below
Max. Temperature Rating for: Reinforced PTFE	175 °C (347 °F)
Min. Temperature Rating for: PTFE	-40 °C (-40 °F)



### COMPONENTS

### MATERIAL

#### Wetted

Body	316/316L
Body end connector	316/316L
Ball	316/316L
Stem	316/316L
Ball seat	PTFE
Body seals	PTFE
Stem seals	PTFE

#### Non-Wetted

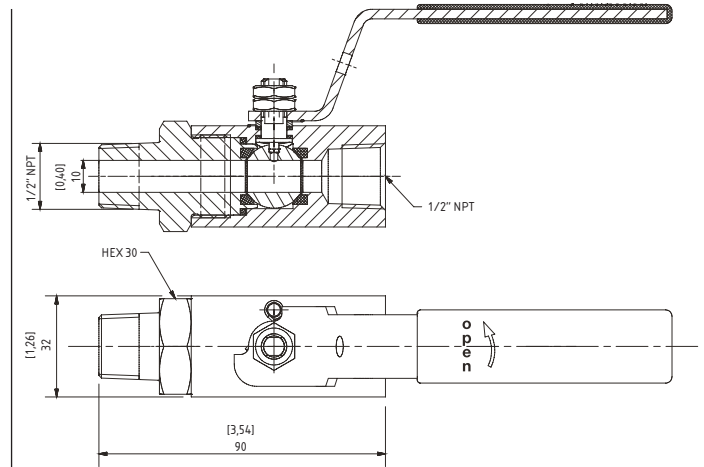
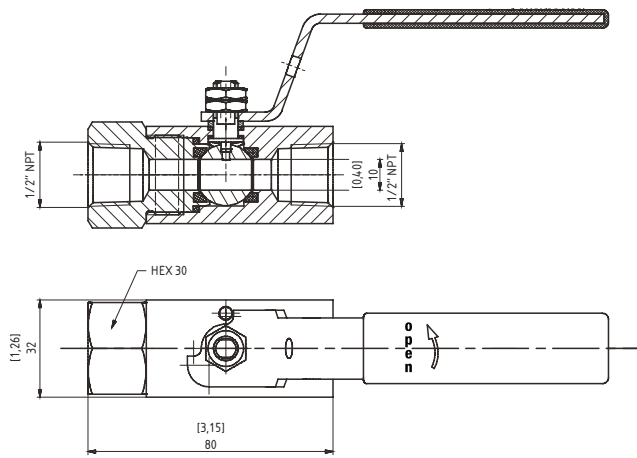
Gland	316
Hex nut	316
Handle	316
Handle grip	Vinyl
Stop pin	A4
Antistatic spring	316

# Data Sheet

## High Pressure Ball Valve - V02 Series

### DIMENSIONS IN MM [INCH]

For reference only, consult Ashcroft for specific dimensional drawings



### ORDERING CODE

### EXAMPLE:

04 V02 BV A SS 50 XC3

#### Process Connection

04 1/2 NPT Male  
 50 1/2 NPT Female

04

#### Series Code

V02 Valve Series V02

V02

#### Valves

BV Ball Valve

BV

#### Version

A Style A (In-line) for high pressure application

A

#### Material

DU Duplex UNS S31803 (1.4462)  
 SS Stainless steel 316L (1.4404)  
 PM Monel 400 (2.4360)  
 HH Hastelloy C-276 (2.4819)

SS

#### Instrument Connection

50 1/2 NPT Female

50

#### Options (If choosing an option(s) must include a "X")

PN700 High pressure (10000 psi / 689 bar)  
 3E Extended connection  
 C3 Material Traceability Report acc. to EN 10204 3.1  
 CD5 Certificate according to NACE for Oilfields MR0175/ISO 15156-2009 and for Refineries MR0103-2010  
 MQ Positive Material Identification (PMI-Test)  
 W9 Hydrostatic Testing  
 6B Cleaned for Oxygen Service  
 NH Stainless Steel Tags

XC3

