

## Center Back Connection, 63 and 100mm, Type 1008S/SL Stainless Case Gauge

### FEATURES

- ASME 3-2-3% grade B accuracy
- True Zero™ pointer indication
- RoHS compliant
- 1 year limited warranty



100 mm back connection

63 mm back connection



63 mm U-clamp



63 mm U-clamp kit #101A164-01



63 mm retrofit kit



63 mm retrofit kit with spacer flange kit #101A140-06



63 mm Front Flange kit #101A140-03 push on flange

### PRODUCT SPECIFICATIONS

<b>Ashcroft Type No.:</b>	1008S
<b>Sizes:</b>	63mm, 100mm
<b>Case:</b>	304SS
<b>Ring:</b>	304SS crimped
<b>Window:</b>	Polycarbonate
<b>Dial:</b>	Black figures on white background, aluminum
<b>Pointer:</b>	Black, aluminum
<b>Bourdon Tube:</b>	316 SS Bourdon tube and socket TIG welded. Throttle plug standard for all liquid gauges and dry gauges above 1000 psi.
<b>Socket:</b>	316 SS, Buna-N O-ring seal
<b>Movement:</b>	Stainless steel, gear type.
<b>Mounting:</b>	Stem mounting or panel mounting with U-Clamp or Front Flange. All gauges have rear weld nuts for U-clamp mounting.
<b>Connections:</b>	¼ NPT center back
<b>Ranges:</b>	From Vac-20,000 psi and compound
<b>Accuracy:</b>	ASME 3-2-3% grade B
<b>Fill Plug:</b>	Buna-N ventable design
<b>Protection:</b>	Nema 4X / IP65 plug sealed Nema 3 / IP54 plug vented
<b>Ambient Temperature</b>	-40°F to 200°F dry +20°F to 150°F glycerin filled (based on standard polycarbonate window)

### OPTIONAL FEATURES

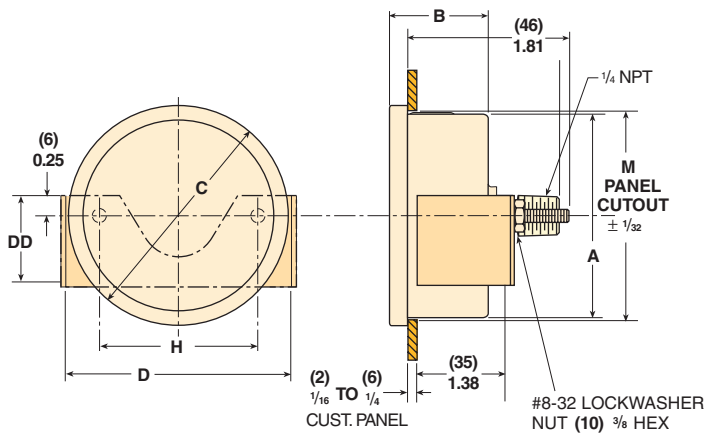
<b>Liquid fill:</b>	Glycerin
<b>Mounting:</b>	- Flush panel mounting 3 hole flange - Panel mounting clamps - Retrofit kit for oversized panel holes. Includes U-clamp and spacer flange.
<b>Dampening:</b>	FlutterGuard™ on application (XZY)

### HOW TO ORDER (Typical example)

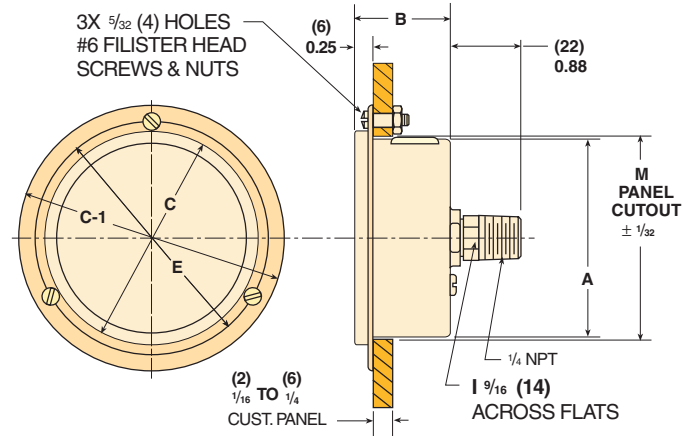
	<b>63</b>	<b>1008</b>	<b>S (L)</b>	<b>02C</b>	<b>100#</b>
<b>Dial Size:</b> 63mm (63), 100mm (10)	_____	_____	_____	_____	_____
<b>Case Type:</b> 1008	_____	_____	_____	_____	_____
<b>Tube and Socket Material:</b> 316 SS	_____	_____	_____	_____	_____
<b>Liquid Filled:</b> (glycerin) leave blank if dry	_____	_____	_____	_____	_____
<b>Connection Size:</b> ¼ (02)	_____	_____	_____	_____	_____
<b>Connection Location:</b> Center Back (C)	_____	_____	_____	_____	_____
<b>Range:</b> 0/100 psi	_____	_____	_____	_____	_____

## Center Back Connection, 63 and 100mm, Type 1008S/SL Stainless Case Gauge

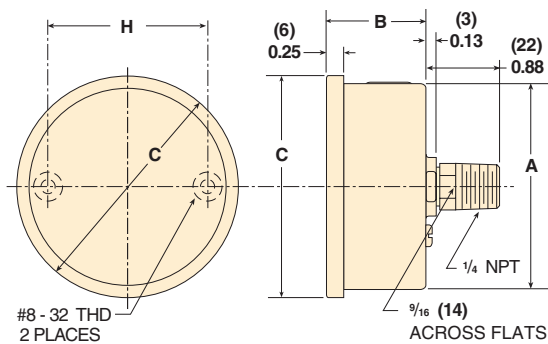
### DIMENSIONS



63/100mm Center Back Connection  
U-clamp



63/100mm Center Back Connection  
Front Flange



63/100mm Center Back Connection

Gauge Size	A	B	C	C-1	D	DD	E	H	M
(63) 2.48	(63) 2.48	(31) 1.21	(69) 2.71	(86) 3.36	(75) 2.95	(28) 1.12	(75) 2.95	(49) 1.94	(65) 2.54
(100) 3.94	(100) 3.94	(31) 1.24	(106) 4.16	(133) 5.22	(107) 4.20	(28) 1.12	(116) 4.57	(76) 3.00	(101) 3.97

Note: Dimensions in brackets ( ) are millimeters.