

## Type 1010 Pressure Gauge Available With **PLUS!**<sup>™</sup> Performance Option



4 1/2" CASE SHOWN

### FEATURES

- 4 1/2", 6", 8 1/2" and 12" dial sizes
- Black epoxy- painted aluminum case

The Ashcroft® Type 1010 gauge is the most economical of the general service industrial gauges having 1% accuracy. The 1010 also is the only Ashcroft gauge available in sizes up to 12" in diameter.

### PRODUCT SPECIFICATIONS

<b>Model Number:</b>	1010
<b>Accuracy:</b>	1% full scale (Grade 1A, ASME B40.100)
<b>Ranges:</b>	Vac., compound to 30,000 psi
<b>Dial Size:</b>	4 1/2", 6", 8 1/2" or 12" diameter
<b>Case Material:</b>	Black epoxy coated aluminum
<b>Weather Protection:</b>	Dry Case: IP54
<b>Ring:</b>	4 1/2", 6" threaded reinforced black ring  8 1/2" hinged ring, black epoxy coated 12" slip-fit steel ring, black epoxy painted
<b>Window:</b>	Glass
<b>Dial:</b>	Aluminum, white background, black figures and intervals.
<b>Pointer:</b>	Micrometer Adjustable (Friction fit 12" Size)
<b>Movement:</b>	Rotary, 400 SS, Teflon® coated pinion gear and segment
<b>Bourdon Tube and Socket:</b>	Phos. bronze/brass brazed (A) 316L SS/316L SS (S) K Monel/ Monel (P)
<b>Connection Size:</b>	1/4", 1/2" NPT
<b>Connection Location:</b>	Lower or back
<b>Mounting:</b>	Stem, surface or flush

### OPTIONAL FEATURES

Overload Stop	XOS
Underload Stop	XVS
Throttle Plug (.031) Thread-in	XTS

Visit [ashcroft.com](http://ashcroft.com) for the complete features list

### STANDARD RANGE TABLE\*

Pressure		
psi	kg/cm <sup>2</sup> – bar	kPa
0/15	0/1	0/100
0/30	0/1.6	0/160
0/60	0/2.5	0/250
0/100	0/4	0/400
0/160	0/6	0/600
0/200	0/10	0/1000
0/300	0/16	0/1600
0/400	0/25	0/2500
0/600	0/40	0/4000
0/800	0/60	0/6000
0/1000	0/100	0/10,000
0/1500	0/160	0/16,000
0/2000	0/250	0/25,000
0/3000	0/400	0/40,000
0/4000	0/600	0/60,000
0/5000	0/1000	0/100,000
0/6000		
0/7500		
0/10,000		
0/20,000		
Vacuum		
30 in./0 in.Hg	-1/0	-100/0
Compound		
30 in. Hg/15 psi	-1/0/1.5	-100/0/150
30 in. Hg/30 psi	-1/0/3	-100/0/300
30 in. Hg/60 psi	-1/0/5	-100/0/500
30 in. Hg/100 psi	-1/0/9	-100/0/900
30 in. Hg/150 psi	-1/0/15	-100/0/1500
30 in. Hg/300 psi	-1/0/24	-100/0/2400

\*Full standard and metric equivalent range table available on our web site.

### TEMPERATURE LIMITS

	Ambient	Process	Storage
Dry	-20/200°F (-29/93°C)	-20/250°F (-29/121°C)	-40/250°F (-40/121°C)

**Note:** Other than discoloration of the dial and hardening of the gasketing that may occur as ambient or process temperatures exceeds 150°F, non-liquid-filled gauges with standard glass windows, can withstand continuous operating temperatures up to 250°F (121°C). Accuracy at temperatures above or below the reference ambient temperature of 68°F (20°C) will be affected by approximately .4% per 25°F (4°C). Gauges with welded joints will withstand 750°F (450°F (232°C) with silver brazed joints) for short times without rupture, although other parts of the gauge will be destroyed and calibration will be lost. For continuous use and for process or ambient temperatures above 250°F (121°C), a diaphragm seal or capillary or siphon is recommended.

### HOW TO ORDER:

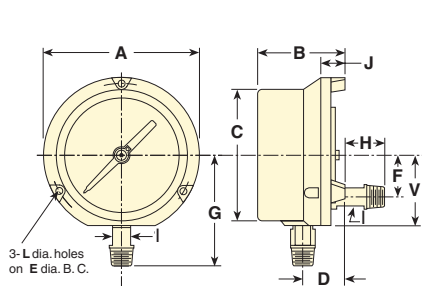
	45	1010	A	02L	XXX	2000#
1. Dial size—4 1/2", 6", 8 1/2" or 12"	_____	_____	_____	_____	_____	_____
2. Case type—1010	_____	_____	_____	_____	_____	_____
3. Tube and socket material	_____	_____	_____	_____	_____	_____
4. Connection size—1/4 (02), 1/2 (04)	_____	_____	_____	_____	_____	_____
5. Connection location—Lower (L), Back (B)	_____	_____	_____	_____	_____	_____
6. Optional features—see above	_____	_____	_____	_____	_____	_____
7. Standard pressure range—2000 psi	_____	_____	_____	_____	_____	_____

# Type 1010 Pressure Gauge

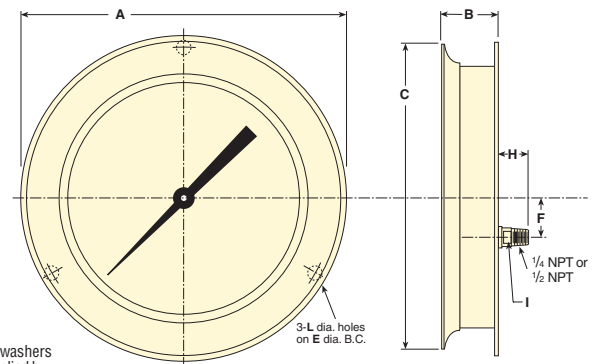
## Available With PLUS!™ Performance Option

### DIMENSIONS

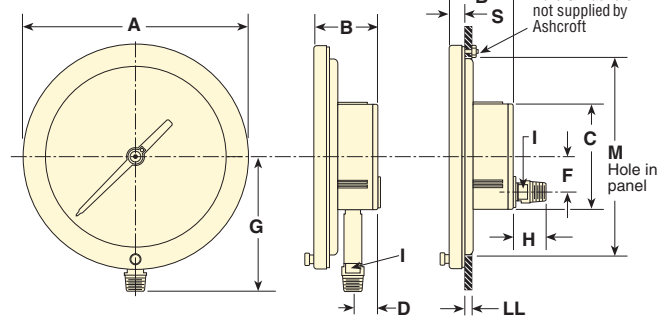
4½" and 6" Back and Lower Connect



12" Back and Lower Connect



8½" Back and Lower Connect



Dial Size Inches	A	B	C	D	E	F	G	H	I	J	S	V	Wgt (lbs)
4½	5 13/16 (148)	3 13/16 (86)	4 7/8 (124)	1 5/8 (41)	5 3/8 (137)	1 1/2 (42)	3 13/16 (100)	7/8 (20)	5/8 (16)	1 1/16 (27)	—	2 5/8 (67)	2 1/2 (1.0 kg)
6	7 7/16 (192)	3 1/2 (89)	6 5/8 (162)	1 5/8 (41)	7 (178)	1 1/2 (42)	4 1/2 (114)	7/8 (20)	5/8 (16)	7/16 (11)	—	2 5/8 (67)	3 1/8 (1.6 kg)
8½	10 1/16 (256)	2 7/8 (73)	4 3/4 (121)	1 11/16 (39)	9 5/8 (244)	1 5/8 (41)	6 (152)	1 3/8 (35)	5/8 (16)	—	1 1/16 (17)	—	4 1/2 (2.0 kg)
12	14 1/2 (368)	2 15/16 (75)	14 1/4 (361)	1 1/2 (26)	13 1/2 (343)	2 1/8 (54)	7 1/2 (191)	1 13/32 (36)	5/8 (16)	—	—	—	8 (3.6 kg)

### Graduations and figure intervals

All Ashcroft dials have various total graduation marks, figure intervals and minor graduations. Standard dual scale metric ranges have a dominant metric inner scale. The outer scale is specified in psi. Some examples are shown. Duragauge gauges are made in accordance with ASME B40.1 entitled, "Gauges, Pressure, Indicating Dial Type – Elastic Element," Accuracy grade 2A (±0.5% of span). The accuracy of a retard range gauge applies only to the expanded portion of the scale. The error in the compressed portion is -10% to +20% of the span. Maximum pressure at which a gauge is continually operated should not exceed 75% of full scale range. Consult customer service in Stratford, CT for non-standard dials.

