

Type 1122KE, 1122KF Special Application Gauge



Type 1122KE

FEATURES

- Accuracy ASME B40.100 Grade A ($\pm 2-1-2\%$ of span)
- Dial size 2½" only

The Ashcroft® Type 1122 is a specialized product used for pump, turbine and compressor applications.

TEMPERATURE LIMITS

| | Ambient | Process | Storage |
|-----|-------------------------|--------------------------|--------------------------|
| Dry | -20/200°F (-29/93°C) | -20/250°F (-29/121°C) | -40/250°F (-40/121°C) |

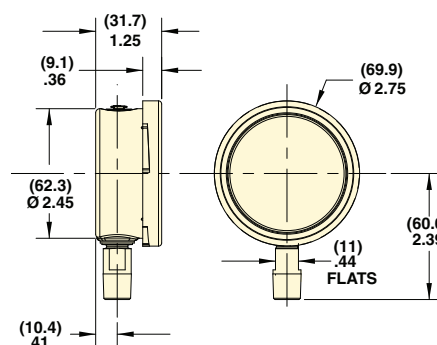
Note: Other than discoloration of the dial and hardening of the gasketing that may occur as ambient or process temperatures exceeds 150°F, non-liquid-filled gauges with polycarbonate windows, can withstand continuous operating temperatures up to 250°F (121°C) but the window will tend to yellow. Accuracy at temperatures above or below the reference ambient temperature of 68°F (20°C) will be affected by approximately .4% per 25°F. Gauges with welded joints will withstand 750°F (450°F) (232°C) for short times without rupture, although other parts of the gauge will be destroyed and calibration will be lost. For continuous use and for process or ambient temperatures above 250°F (121°C), a diaphragm seal or capillary or siphon is recommended.

PRODUCT SPECIFICATIONS

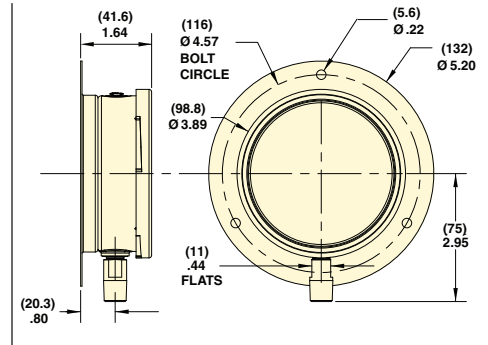
| | |
|-----------------------------------|---|
| Model Number: | 1122KE lower connect, 1122KF lower connect with back flange |
| Accuracy: | 2%-1%-2% ASME Grade A |
| Case Style: | Open Front (dry only) |
| Case Material: | Stainless Steel |
| Dial Size: | 2½" |
| Dial Material & Color: | White with Black Markings |
| Ring Type: | 304SS, Bayonet |
| Bourdon Tube Material: | 316 SS ⁽¹⁾ |
| Socket Material: | Bronze ⁽¹⁾ |
| Connection Size: | ¼ NPT |
| Connection Location: | KE: Lower (L) KF: Lower w/back flange |
| Range Limits: | 15-1000 psi |
| Mounting: | Stem, Surface |
| Pointer: | Adjustable |
| Window: | Polycarbonate |
| Warranty: | 1 Year |

⁽¹⁾ Joints welded

DIMENSIONS



2½" 1122KE Lower Connect



2½" 1122KF Lower Connect

CASE TYPE

| Gauge Type Number | Dial Size (inches) | Case & Ring Material Finish | Bourdon Tube & Tip Material | Socket Material | Pressure Range (psi) | Pointer | Movement | NPT Connection | Weight (lbs.) |
|-------------------|--------------------|---|-----------------------------|-----------------|----------------------|------------|-----------------|----------------|---------------|
| 1122KE 1122KF | 2½ | Case: Stainless steel Ring: Bayonet Lock, St.St. Both polished | 316 SS 316 SS | Bronze | 15/1000 | Adjustable | Stainless steel | ¼ | .5 |

25 1122KE/1122KF PRODUCT CODING

Typical Code:

| 25 | 1122KE | A | 02 | L | 100# | |
|---------|------------------|--|---------------------------|-------------------------|-------------------------------|--|
| SIZE | TYPE NUMBER | SYSTEM (Tube & Socket) | CASE DESIGN | PROCESS CONN. SIZE | CONNECTION LOCATION | RANGE (psi) |
| (25) 2½ | 1122KE 1122KF | Code Tube Socket (A) SS Aluminum Bronze | Description Open Front | Code NPT (02) ¼ Male | Code Description (L) Lower | 15 30 60 100 160 200 300 400 600 1000 |

Type 1122KE, 1122KF Special Application Gauge

| STANDARD METRIC RANGES | | | | | | | |
|--|----------|--------------------|---------------------|---------------------|--------------------|---------------------|--|
| Range | | Dial Graduations | | Range | Dial Graduations | | Outer Scale When Dual Range Specified psi |
| kg/cm ² (Kilograms per sq. cm.) | Bar | Figure Interval | Minor Graduation | kPa (kilopascal) | Figure Interval | Minor Graduation | |
| Pressure | | | | | | | |
| 0/1 | 0/1 | 0.1 | 0.01 | 0/100 | 10 | 1 | 0/14 |
| 0/1.6 | 0/1.6 | 0.2 | 0.02 | 0/160 | 20 | 2 | 0/22 |
| 0/2.5 | 0/2.5 | 0.5 | 0.05 | 0/250 | 50 | 5 | 0/35 |
| 0/4 | 0/4 | 0.5 | 0.05 | 0/400 | 50 | 5 | 0/55 |
| 0/6 | 0/6 | 0.5 | 0.1 | 0/600 | 50 | 10 | 0/85 |
| 0/10 | 0/10 | 1 | 0.1 | 0/1000 | 100 | 10 | 0/140 |
| 0/16 | 0/16 | 2 | 0.2 | 0/1600 | 200 | 20 | 0/220 |
| 0/25 | 0/25 | 5 | 0.5 | 0/2500 | 500 | 50 | 0/350 |
| 0/40 | 0/40 | 5 | 0.5 | 0/4000 | 500 | 50 | 0/550 |
| 0/60 | 0/60 | 5 | 1 | 0/6000 | 500 | 100 | 0/850 |
| Compound | | | | | | | |
| -1/0/1.5 | -1/0/1.5 | 0.5 | 0.05 | -100/0/150 | 50 | 5 | 30" Hg/0/20 |
| -1/0/3 | -1/0/3 | 0.5 | 0.05 | -100/0/300 | 50 | 5 | 30" Hg/0/40 |
| -1/0/5 | -1/0/5 | 0.5 | 0.1 | -100/0/500 | 50 | 50 | 30" Hg/0/70 |

| STANDARD RANGES | | |
|-----------------|-----------------|-------------|
| Pressure (psi) | Figure Interval | Minor Grad. |
| 0/15 | 5 | 1 |
| 0/30 | 10 | 2 |
| 0/60 | 15 | 5 |
| 0/100 | 20 | 10 |
| 0/160 | 40 | 10 |
| 0/200 | 50 | 10 |
| 0/300 | 100 | 25 |
| 0/400 | 100 | 25 |
| 0/600 | 150 | 50 |
| 0/1000 | 250 | 50 |