

## Data Sheet

### A4 Pressure Transmitter

#### FEATURES

- Rugged housing
- Highly configurable: wide selection of pressure ranges, pressure connections and electrical terminations
- Available with externally adjustable zero and span access

#### TYPICAL USES

- Oil field equipment
- Upstream oil and gas production
- Natural gas compression and transfer control
- Alternative energy projects

#### PERFORMANCE SPECIFICATIONS

Reference Temperature:	70°F (21°C)
Accuracy Class (Includes non-linearity):	±0.25%, ±0.5%, ±1.0% of span Terminal Point Method includes: hysteresis, non-repeatability, zero offset and span setting errors
Best Fit Straight Line (BFSL):	±0.2%, ±0.4%, ±0.5% of span. Add ± 0.05% for ranges >5,000 psi
Durability:	>10 million cycles
Stability:	≤±0.25% span/year at reference conditions

#### ENVIRONMENTAL SPECIFICATIONS

Temperature Effects:	-4°F to 185°F (-20°C to 85°C) ±1.0% of span for ±0.25% accuracy class ±2.0% of span for ±0.5% and ±1.0% accuracy class
Temperature Limits:	Storage: -40°F to 257°F (-40°C to 125°C) Operating: -40°F to 257°F (-40°C to 125°C) Compensated: -4°F to 185°F (-20°C to 85°C)
Humidity Effects:	0-95% R.H. non-condensing (no effects) 0-100% R.H. with welded enclosure (no effects)

#### FUNCTIONAL SPECIFICATIONS

Response Time:	<2ms
Pressure Ranges:	Vacuum, gauge, compound and absolute pressure from 0 to 5 psi through 0 to 10,000 psi (Bar ranges available)
Shock:	100g Peak, 11ms
Random Vibration:	10g RMS, 20-2,000Hz
Sweep Vibration:	50-2,000Hz, 5g peak
Position Effect:	±0.02%, typical
Overpressure:	Proof: Burst:
≤300 psi	1.5 X Range 2 X Range
≥500 to ≤10,000 psi	1.2 X Range 1.5 X Range



A4  
Pressure Transmitter



#### KEY BENEFITS

- Provides the user with accurate, reliable, and stable output data
- Board microprocessor provides extremely linear and precise performance over the entire pressure and temperature range
- Ideal for a broad spectrum of pressure sensing requirements where Intrinsically safe or Non-Incendive hazardous location rating are required

#### ELECTRICAL SPECIFICATIONS

Circuit Protection:	Reverse polarity and mis-wire protected
Insulation Resistance (Circuit Case):	100 MΩ @ 30 Vdc
Output Signal:	Supply Voltage: (Unregulated) 4-20 mA (2 Wire) Minimum: 12 Vdc Maximum: 30 Vdc
Electrical Terminations:	See ordering code on page 2 for options
Power Requirements:	See load limitations chart on page 2

# Data Sheet

## A4 Pressure Transmitter

### PHYSICAL SPECIFICATIONS

Environmental Rating: IP65, NEMA 4X

### HAZARDOUS AREA CERTIFICATIONS

Intrinsically Safe: FM/CSA  
 Intrinsic Safety: Class I, II and III Div. 1 and 2  
 Groups A, B, C, D, F and G per entity requirements  
 see Ashcroft drawing #825A022  
 Non-incendive: Class I, II and III Div. 2, Groups A, B,  
 C, D, F and G, no barriers needed

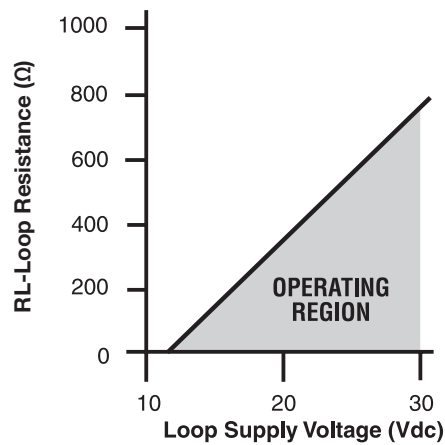
### WETTED MATERIAL

Diaphragm	Process Connection
316L SS	316L SS

### NON-WETTED

Housing
304 SS

### LOAD LIMITATIONS 4-20 mA OUTPUT ONLY



$$V_{dc\_Min} = 12V + (0.022A * X (RL))$$

$$R_L = R_s + R_w$$

$R_L$  = Loop Resistance (ohms)

$R_s$  = Sense Resistance (ohms)

$R_w$  = Wiring Resistance (ohms)

\* (Includes a 10% safety factor)

# Data Sheet

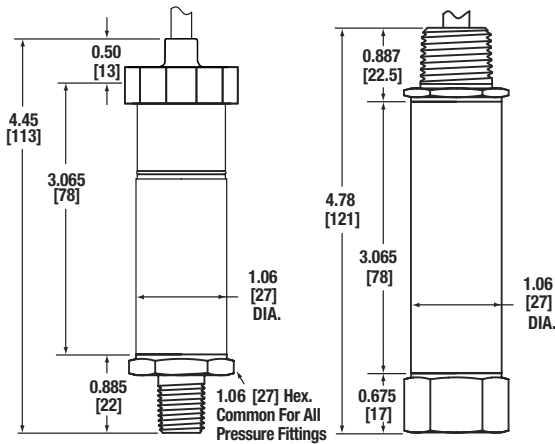
## A4 Pressure Transmitter

ORDERING CODE	Example:	A4	S	A	M01	42	F2	50#	G	-X6B
<b>Model</b>										
A4 - Intrinsically safe / non-incendive pressure transmitter		A4								
<b>Enclosure</b>										
S - Basic			S							
W - Welded w/out zero & span access										
<b>Accuracy/Temp. Effects</b>										
A - 0.25%/±1.0%(-20°C to 85°C)				A						
B - 0.50%/±2.0%(-20°C to 85°C)										
C - 1.0%/±2.0%(-20°C to 85°C)										
<b>Pressure Connection</b>										
F01 - 1/8 NPT Female										
F02 - 1/4 NPT Female										
F04 - 1/2 NPT Female										
F09 - 9/16-18 (1/4)-Female (Aminco®)										
FRW - 7/16-20 SAE-Female										
M01 - 1/8 NPT Male					M01					
M02 - 1/4 NPT Male										
M04 - 1/2 NPT Male										
MEK - 7/16-20 SAE-Male										
MG2 - G1/4 Male										
MG4 - G1/2 Male										
VM2 - VCR process connection 1/4" VCR gland w/ 9/16-18 Male nut										
VF2 - VCR process connection 1/4" VCR gland w/ 9/16-18 Female nut										
S15 - Sanitary Seal 1 1/2" Tri-Clamp®										
S20 - Sanitary Seal 2" Tri-Clamp®										
<b>Output Signal</b>										
42 - 4-20 mA						42				
<b>Electrical Termination</b>										
<b>Integral Cable (Pigtail)</b>										
F2 - 3' shielded cable (available with enclosure code S)							F2			
P1 - Specify length (available with enclosure code S)										
<b>Hirschmann® Style Form A DIN 43650-A</b>										
DN - W/o mating conn. (available with enclosure code S)										
D0 - With mate, no cable (available with enclosure code S)										
D2 - With mate, 3' cable (available with enclosure code S)										
D1 - With mate, specify length (available with enclosure code S)										
<b>4-Pin Bendix® Style</b>										
B4 - W/o mating conn. (available with enclosure code S)										
H1 - With mate, no cable (available with enclosure code S)										
L1 - With mate, 3' cable (available with enclosure code S)										
P2 - With mate, specify length (available with enclosure code S)										
<b>1/2 NPT-M Conduit Shielded Cable (NEMA Rating not valid for ranges ≤500 psi)</b>										
C1 - 3' shielded cable (available with enclosure code W)										
C6 - 15' shielded cable (available with enclosure code W)										
C7 - 30' shielded cable (available with enclosure code W)										
P7 - Shielded cable specify length (available with enclosure code W)										
<b>1/2 NPT-M Conduit Flying Leads (NEMA Rating not valid for ranges ≤500 psi)</b>										
C2 - 3' flying leads (available with enclosure code W)										
C5 - 10' flying leads (available with enclosure code W)										
<b>M12 Threaded</b>										
EW - W/o mating conn. (available with enclosure code S)										
E0 - With Male no cable (available with enclosure code S)										
E2 - With Male 3' cable (available with enclosure code S)										
E1 - With Male (specify length) (available with enclosure code S)										
<b>Pressure Range (see range table on page 4)</b>										
50# - 50 psi								50#		
<b>Measurement Type</b>										
G - Gauge pressure									G	
A - Absolute pressure										
<b>Option (if including an option(s) must include an "X")</b>										
CL - Non-standard calibration										X _
K8 - 17-4PH SS sensor material										
6B - Cleaned for oxygen service										6B

# A4 Pressure Transmitter

**DIMENSIONS** in [ ] are millimeters

**Intrinsically Safe (Enclosure S, W)**



**RANGE TABLE**

	Range	Code	Notes
Vacuum	0 psi/-14.7 psi	0#&vac	17-4PH SS sensor not available, gauge pressure only
	15 psi/-14.7 psi	15#&vac	17-4PH SS sensor not available, gauge pressure only
Compound	30 psi/-14.7 psi	30#&vac	17-4PH SS sensor not available, gauge pressure only
	45 psi/-14.7 psi	45#&vac	Gauge pressure only
	60 psi/-14.7 psi	60#&vac	Gauge pressure only
Positive Pressure	1.5 psi	1.5#	17-4PH SS sensor not available, gauge pressure only, available with accuracies B or C only
	5 psi	5#	17-4PH SS sensor not available, gauge pressure only
	10 psi	10#	17-4PH SS sensor not available, gauge pressure only
	15 psi	15#	17-4PH SS sensor not available
	30 psi	30#	17-4PH SS sensor not available
	50 psi	50#	
	60 psi	60#	
	75 psi	75#	
	100 psi	100#	
	150 psi	150#	
	200 psi	200#	
	300 psi	300#	
	500 psi	500#	
	750 psi	750#	
	1,000 psi	1000#	
	1,500 psi	1500#	
	2,000 psi	2000#	
	3,000 psi	3000#	
5,000 psi	5000#		
6,000 psi	6000#		
7,500 psi	7500#		
10,000 psi	10000#	17-4PH SS sensor required	