

Data Sheet

C-600B Duratemp® Thermometer

FEATURES

- Extreme resistance to shock and vibration
- Exclusive movementless design eliminates wear and increases product life
- Maxivision® dial for precise readings (minimize parallax reading errors)
- All SS case, stem and Everyangle™ harness
- Gas-operated molecular sieve
- Custom Dials

TYPICAL USES

- Offshore oil rigs
- Chemical and petrochemical plants
- Water and wastewater temperature control
- Pulp and paper
- Refineries
- Power
- General industrial
- Equipment skids
- HVAC
- Pharmaceutical / Biotech
- Food and beverage

SPECIFICATIONS

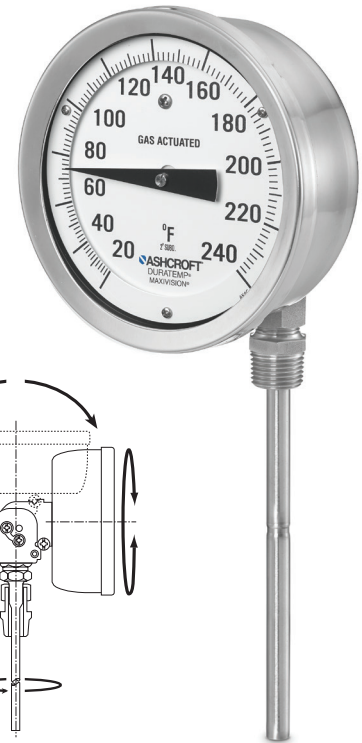
| | |
|---------------------|---|
| Accuracy: | ±1% of span |
| Size: | 4½" |
| Range: | -320°F/200°F to 400°F/1,200°F (-200°C/100°C to 200°C/650°C) |
| Over Range: | 125% of span |
| Process Connection: | ½ NPT Union |
| Mounting: | Direct mount |
| Stem Length: | 6", 9", 12", 15", 18", 24", 30" or 36" |
| Stem Diameter: | 0.375" |
| Dial: | Maxivision® linear anti-parallax dial, black markings on a white dial |
| Hand Set: | Stationary red hand set or Externally adjustable Red set hand |
| Pointer: | Black, aluminum |

THERMAL SYSTEM

| Connection Material | Stem |
|---------------------|--------|
| 316 SS | 316 SS |

NON-WETTED COMPONENTS

| Window | Case | Ring |
|--------------------------------|--------|---------------------|
| Glass, safety glass or acrylic | 304 SS | 304 SS bayonet ring |



The Everyangle™ Duratemp® thermometer may be rotated 360° for readability and the stem turned 180° for the most challenging installations.

C-600B
4½" dial size

KEY BENEFITS

- Impact-resistant SS case
- Bayonet ring for easy glass replacement or pointer adjustment
- Extremely versatile for use on many applications
- No elevation error
- 5 year limited warranty
- Ideal for extreme process temperatures

TEMPERATURE LIMITS

| Version | Ambient |
|---------|-------------------------------|
| Dry | -13°F (-25°C) to 160°F (71°C) |

Data Sheet

C-600B Duratemp[®] Thermometer

| ORDERING CODE | Example: | C-600B | 01 | AB | -XSG |
|---|----------|--------|----|----|--------|
| Direct Mount | | | | | |
| C-600B - 4½" Case size, SS bayonet ring, Everyangle™ connection | | C-600B | | | |
| Stem Length | | | | | |
| 01 - 6" Stem length "S" dimension | | | 01 | | |
| 02 - 9" Stem length "S" dimension | | | | | |
| 03 - 12" Stem length "S" dimension | | | | | |
| 04 - 15" Stem length "S" dimension | | | | | |
| 05 - 18" Stem length "S" dimension | | | | | |
| 06 - 24" Stem length "S" dimension | | | | | |
| 07 - 30" Stem length "S" dimension | | | | | |
| 08 - 36" Stem length "S" dimension | | | | | |
| Ranges (coding example, see range table below for all standard ranges) | | | | | |
| AB - -320°F/200°F (-200°C/100°C) | | | | AB | |
| Options (If choosing an option(s) must include an "X") | | | | | |
| DM - Dial marking | | | | | -X _ _ |
| EO - Externally adjustable red set hand | | | | | |
| EP - Externally adjustable maximum pointer | | | | | |
| EQ - Externally adjustable minimum pointer | | | | | |
| NH - SS tag | | | | | |
| NN - Paper tag | | | | | |
| PD - Acrylic window | | | | | |
| SG - Safety glass | | | | | SG |
| SH - Stationary red set hand | | | | | |

NOTES

- Minimum recommended insertion length ("u" dimension) in liquids is 4 inches and in gases is 6 inches for standard 3/8" x 3" bulb.
- Thermowells must be used on any application where the bulb of the thermometer may be exposed to pressure, corrosive fluids, or velocity. Additionally, the use of a thermowell permits instrument interchangeability or recalibration without shutting down the process.
- When using a threaded thermowell in temperatures 750°F and above, a 3" lag is recommended.

| SINGLE RANGES | | | |
|---------------|---------------|------------|--------------|
| Range Code | | Range Code | |
| AB | -320°F/200°F | AY | -200°C/100°C |
| AE | -100°F/100°F | BL | -80°C/40°C |
| AG | -40°F/180°F | BN | -40°C/80°C |
| AK | 20°F/240°F | BS | 0°C/120°C |
| AL | 50°F/300°F | BT | 10°C/150°C |
| AN | 50°F/550°F | BU | 0°C/300°C |
| AR | 50°F/750°F | BW | 0°C/400°C |
| AT | 400°F/1,200°F | BJ | 200°C/650°C |

| DUAL RANGES | |
|-------------|----------------------------|
| Range Code | |
| CE | 0°C/120°C and 20°F/240°F |
| CF | 0°C/300°C and 50°F/550°F |
| DR | 10°C/150°C and 50°F/300°F |
| DT | -40°C/80°C and -40°F/180°F |

C-600B Duratemp[®] Thermometer

DIMENSIONS in [] are millimeters

For reference only, consult Ashcroft for specific dimensional drawings

| Dial Size Inches | A | B | C | D | E | F | G | H |
|------------------|---------------|--------------|---------------|--------------|---------------|-----------|-----------|--------------|
| 4½ | 4.72 [120] | 2.06 [52] | 5.10 [130] | 3.08 [78] | 4.22 [107] | 3 [76] | 1 [25] | 0.38 [10] |

