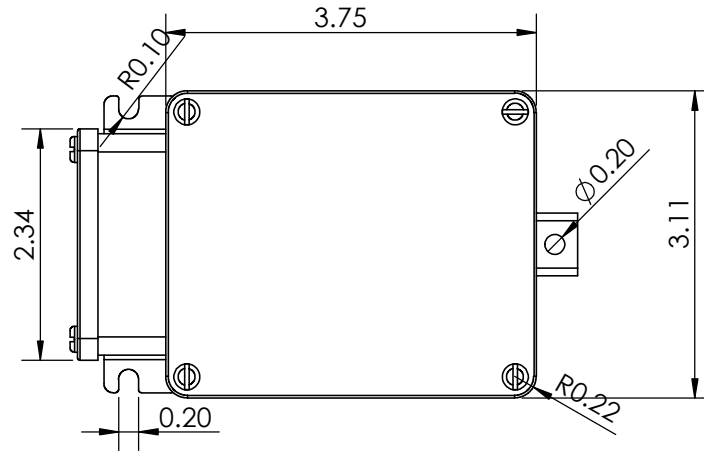


Third angle projection

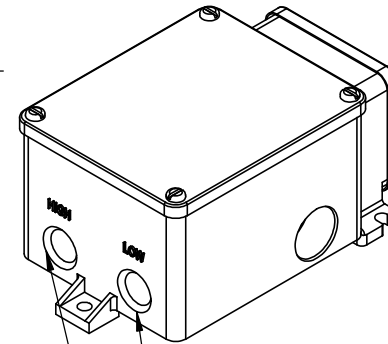
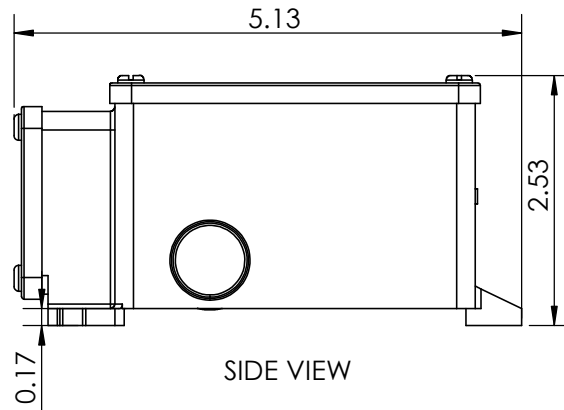
This drawing includes confidential information which is the property of ASHCROFT INC. This copy is loaned for a specific purpose, with the understanding that it will not be reproduced or used for any other purpose or disclosed to others, and it will be returned on demand.

**ASHCROFT**® INC 250 EAST MAIN STREET  
STRATFORD, CT 06614

TOP VIEW



SIDE VIEW



LOW SIDE  
PRESSURE PORT  
1/4" NPT

HIGH SIDE  
PRESSURE PORT  
1/4" NPT

NOTE: ALL DIMENSIONS ARE IN INCHES

REV.	ECO	DESCRIPTION	BY	DATE
A	0007483	RELEASED GENERAL DIMS.	KK	9/5/2014

This print certified correct for		General Dimensions			IXLdp
Customer's Name		Differential Pressure Transmitter			
		ASHCROFT IX-X-F02-XX-X-ST-XXXXXX			
Customer's Order No.	Drawn KK	Date 09/05/14	Date of Issue		
Ashcroft Order No.	Checked	Date	SHEET-1	Rev.	
Certified by	Date	Approved	Date	70A3988	A