

ASHCROFT[®] SANITARY PRESSURE SWITCHES

ASHCROFT SANITARY PRESSURE SWITCH OPTION X3A

Our sanitary pressure switches were developed to meet the increasing demand for sanitary products in the food and pharmaceutical processing industries. These industries often require special product to meet their needs for cleanliness. One well accepted standard applying to pressure switches is the 3A Sanitary Administrative Council Sanitary Standard 74. Originally developed for milk processing, it requires the use of continuously welded stainless steel joints and for all parts or surfaces that come in contact with product (process) to be polished with a surface finish of 12-20 RA or better. To meet the 3A standard, we use a diaphragm seal, welded to A, B, G, or L series pressure switches. Filled with 99.5% pure food grade USP Glycerin, these switches are approved by 3A and carry the 3A emblem.

QUICK AND EASY

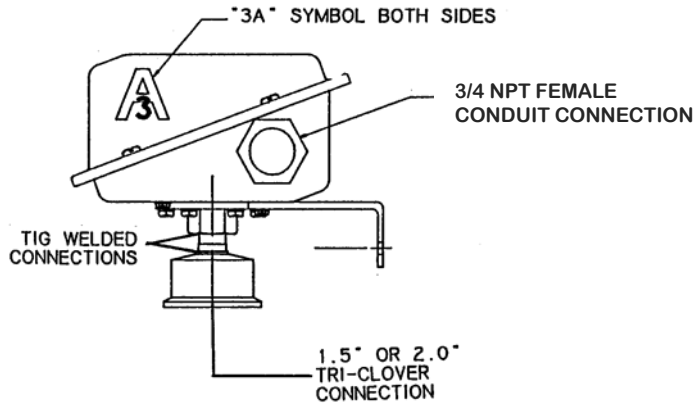
One added benefit of these switches is the quick connect feature of the sanitary seal. Because equipment often has to be taken apart for cleaning or quick process change, a standard Tri-Clover connection is already used extensively in Food and Pharmaceutical processing plants and will be readily accepted.

SPECIAL FEATURES

- 1.5" or 2" Tri-Clover[®] Connection
- A & G - Series Features Stainless Steel Enclosures
- All Welded Assembly of Wetted Parts
- 3A Approval to Sanitary Standard 74
- USP Food Grade Glycerin Fill (99.5% pure)
- Process and Ambient Temp. Limits -20 to 250°F
- 3.1 Material Traceability

PIP #: SW-PI-55

Applicable to:
A, B, G and L
Sanitary
Pressure
Switches



G Series Pressure Switch

B-Series Example
B424S-XY6-3A-100#
Connection: 2.0"

TYPE	ENCLOSURE	SWITCH ELEMENT	ACTUATOR SEAL	OPTIONS	RANGE
B-Series	NEMA 4 NEMA 7 Watertight and Corrosion Resistant	All Single and Dual Elements Available	S-Welded 316 St. St. B-Buna N V-Viton T-Teflon	Y5 3A (1.5" Sanitary Seal) Y6 3A (2.0" Sanitary Seal)	Vacuum to 600 psi

G & L-Series Example
GPD-N4-GG-S-25-XY5-3A-100#
Connection: 1.5"

TYPE	ENCLOSURE	ELECTRICAL	ACTUATOR SEAL	CONNECTION	OPTIONS	RANGE
GPA, GPD & GPS LPA, LPP, LPS Pressure Switch Only	N4 – NEMA 4 Watertight and Corrosion Resistant	All Single Dual Switch Elements Available	S-Welded 316 St. B-Buna N V-Viton T-Teflon	25 – 1/4 NPTF	Y5 3A (1.5" Sanitary) Y6 3A (2.0" Sanitary)	Vacuum to 600 psi

A-Series Example
APAN41HO12LS15 30#-NSR
Connection: 1.5"

TYPE	ENCLOSURE	SWITCH ELEMENT	ELECTRICAL	ACTUATOR	RANGE
APS APA	N4 N7	All	All	S15 or S20	-15/15# to 200#